

SR598



Display size
55"-98"



Max load
300lb (136.4kg)
display

TECH & LEARNING **WINNER**
BEST of SHOW
InfoComm 2015

SMARTMOUNT® Flat Panel Cart

FOR 55" TO 98" DISPLAYS

The SR598 SmartMount® Flat Panel Cart has been redesigned to include all of the features you may need, making it perfect for any application. Mobility, appealing design, display height adjustment and a pre-assembled base ensure quick assembly, while providing a rigid, but attractive structure that fits into any décor. The 4" castors make it easy to move from room to room while the UL® certification ensures you that it can be done with safety in mind.

Designed to meet UL® certifications, the SR598 incorporates safety and security, ensuring you get the job done correctly.



Additional Features

- ✓ Display can be located anywhere along the column for perfect viewing height (up to 60" at center)
- ✓ Integrated cable management protects, contains and conceals cables for a clean, professional installation
- ✓ Maneuvers easily on 4" (102mm) swivel casters, two locking
- ✓ Pre-assembled base provides rigidity, stability and quick assembly
- ✓ Textured black powder coat finish helps hide finger prints and dust
- ✓ Open frame display adaptor helps prevent display input interference
- ✓ Optional ACC-MS component shelf can be positioned anywhere along either column by simply lifting and repositioning
- ✓ Universal mount fits displays with mounting patterns from 200 x 200mm up to 900 x 600mm

■ **PLUMB ADJUSTMENT**
5 degrees of negative adjustment keeps even the heaviest of displays level

■ **UL/CUL CERTIFIED**
Provides the highest level of safety

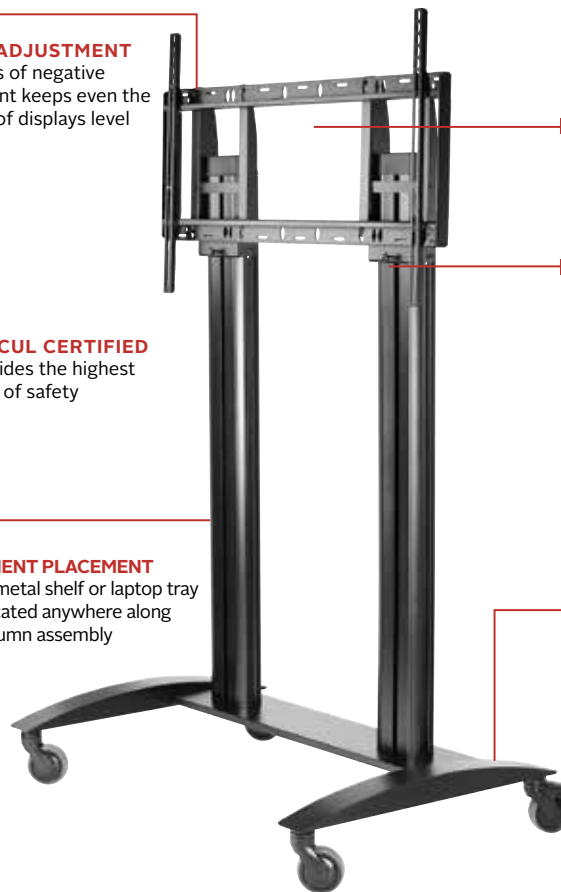
■ **COMPONENT PLACEMENT**
Optional metal shelf or laptop tray can be located anywhere along either column assembly

■ **OPEN FRAME ADAPTOR**
Helps prevent display input interference

■ **VERTICAL ADJUSTMENT**
Display and optional component shelf can be located anywhere along the column (up to 60" at center)

■ **WELDED BASE**
Provides rigidity, stability and quick assembly

■ **SAFE AND EASY MANEUVERABILITY**
4" (102mm) swivel casters meet UL/CUL requirements



SR598	SmartMount® Flat Panel Cart for 55" to 98" Displays
--------------	---

Product Specifications

	DIMENSIONS (W X H X D)	PRODUCT WEIGHT	LOAD CAPACITY	FINISH	AVAILABLE COLORS
SR598	46.01" x 68.38" x 29.00" (1169 x 1736 x 737mm)	89lb (40.5kg)	300lb (136.4kg) display	Textured Powder Coat	Black

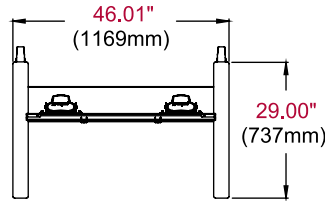
Package Specifications

	PACKAGE SIZE (W x H x D)	PACKAGE SHIP WEIGHT	PACKAGE UPC CODE	PACKAGE CONTENTS	UNITS IN PACKAGE
SR598	47.50" x 12.50" x 38.50" (1207 x 318 x 978mm)	109lb (49.5kg)	735029304975	Assembled base, (2) Aluminum columns, Universal display adaptor, (2) swivel casters, (2) locking swivel casters, hardware & instructions	1

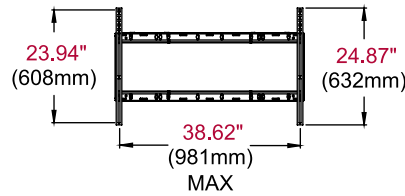
Accessories

- | | |
|---|---|
| ACC310: Feet Accessory | ACC-GS1: Tempered Glass Shelf |
| ACC316: Safety Belt | ACC-LA: Laptop Arm |
| ACC320: Electrical Outlet Strip with Cord Wrap | ACC-MS: Metal Shelf |
| ACC-BPR: Bumper Accessory for legs | ACC-VCS: Video Conferencing Camera Shelf |

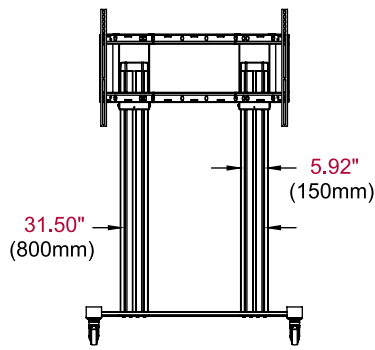
All dimensions = inch (mm)



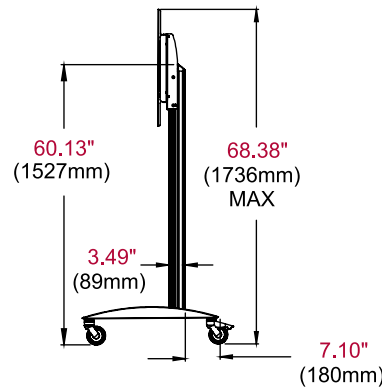
TOP VIEW



ADAPTOR BRACKET



FRONT VIEW



SIDE VIEW

Architect Specifications

The SmartMount® Flat Panel Cart shall be a Peerless-AV model SR598 and shall be located where indicated on the plans.. Assembly and installation shall be done according to instructions provided by the manufacturer.

Visit peerless-av.com to see the complete line of AV solutions from Peerless-AV, including outdoor displays, wireless, kiosks, digital audio, display mounts, projector mounts, carts/stands, and a full assortment of accessories.

Peerless-AV
2300 White Oak Circle
Aurora, IL 60502 USA
(800) 865-2112
(630) 375-5100
Fax: (800) 359-6500

Peerless-AV Europe
Unit 3 Watford Interchange
Colonial Way, Watford
Herts, WD24 4WP
United Kingdom
+44 (0) 1923 200100
Fax: +44 (0) 1923 200101

Peerless-AV de México
Ave de las Industrias 413
Parque Industrial Escobedo
Escobedo, N.L.,
Mexico 66050
+52 (81) 8384-8300
Fax: +52 (81) 8384-8360

